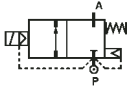


2/2 WAY PILOT OPERATED VALVE WITH ASSISTED LIFT, G 1/4" ÷ G 1/2"



normally closed

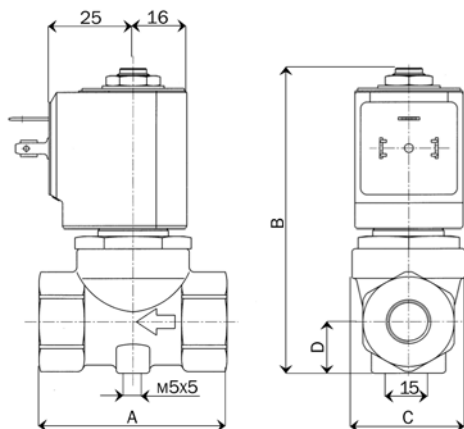
TYPE: D884/885/886

TECHNICAL SPECIFICATIONS

Media:	water, oil, air
Media temperature:	-10°C ... +130°C
Ambient temperature:	-10°C ... +50°C
Body material:	brass (CW617N EN 12165)
Operator material:	stainless steel
Operator seal material:	FKM
Seal and Diaphragm material:	FKM
Coil power:	AC 18VA (holding) AC 36VA (inrush) DC 14W
Protection class:	IP 65 (with connector)



SELECTION TABLE	VALVE	G connection	Nominal Diameter	Flow rate kv	OPD			COILS	
					min	max	AC	DC	Code
	Code	-	(mm)	(l/min)	(bar)				
	D884DVU	1/4"	10.5	21	0	16	6	7250	24/dc
	D885DVU	3/8"	10.5	24	0	16	6	7200	24/50 - 60
	D886DVU	1/2"	10.5	25	0	16	6	7400	110/50 - 120/60
								7600	200/50 - 220/60
								7700	230/50 - 240/60



DIMENSIONS & WEIGHTS	G connection	A	B	C	D	weight
	-	(mm)	(mm)	(mm)	(mm)	(Kg)
	1/4"	54	89	34	15.5	0.4
	3/8"	54	89	34	15.5	0.4
	1/2"	54	89	34	15.5	0.4