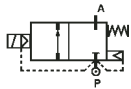


2/2 WAY PILOT OPERATED SOLENOID VALVE, G 1 1/4" ÷ G 2"



normally closed

TYPE: D223/224/225

TECHNICAL SPECIFICATIONS

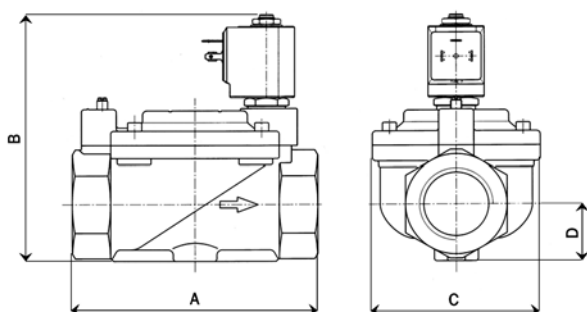
Media: water, oil, air,
Media temperature: -10°C ... +90°C
Ambient temperature: -10°C ... +50°C
Body material: brass (CW617N EN 12165)
Operator material: stainless steel
Operator seal material: NBR
Seal and diaphragm material: NBR
Coil power: AC 18VA (holding)
AC 36VA (inrush)
DC 14W
Protection class: IP 65 (with connector)
Speed control screw as standard



OPTIONS

Normally open (Ex. code <u>RD224DBK</u>)
Manual override (Ex. code <u>D223DBKM</u>)
EPDM seal for air and hot water MAX 120°C (Ex. code <u>D223DEK</u>)
FKM seal for air, water, oil MAX 130°C (Ex. code <u>D223DVK</u>)

SELECTION TABLE	VALVE	G connection	Nominal Diameter	Flow rate kv	OPD		COILS	
					min	max	Code	(Volts/Hz)
	Code	-	(mm)	(l/min)	(bar)	AC	DC	Code
D223DBK	1 1/4"	40	370	0.5	16	16	7250	24/dc
D224DBK	1 1/2"	40	400	0.5	16	16	7200	24/50 - 60
D225DBJ	2"	50	540	0.5	16	16	7400	110/50 - 120/60
							7600	200/50 - 220/60
							7700	230/50 - 240/60



DIMENSIONS & WEIGHTS	G connection	A	B	C	D	weight
	(mm)	(mm)	(mm)	(mm)	(mm)	(Kg)
-	(mm)	(mm)	(mm)	(mm)	(mm)	(Kg)
1 1/4"	140	140	96	31	2.8	
1 1/2"	140	140	96	31	2.8	
2"	168	158	112	39	3.9	