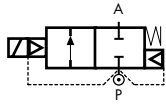


## 2/2 WAY PILOT OPERATED SOLENOID VALVE, G 3/8" ÷ G 1"



normally closed

TYPE: D204/205/206/222

### TECHNICAL SPECIFICATIONS

Media:	water, oil, air
Media temperature:	-10°C ÷ +130°C
Ambient temperature:	-10°C ÷ +50°C
Body material:	AISI 316L (ASME SA351/351M GRADE CF3M)
Operator material:	stainless steel
Operator seal material:	FKM
Seamless tube as standard, suitable for steam	
Seal and diaphragm material:	FKM
Silver shading ring	
Coil power:	AC 18VA (holding) AC 36VA (inrush) DC 14w
Protection class:	IP 65 (with connector)

### OPTIONS

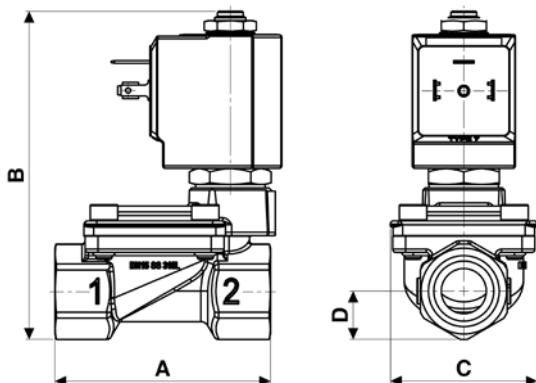
Normally open with coil with insulation class "H" (e.g. code RD205DVZI 7251)
Manual override (e. g. code D205DBZIM)
EPDM seal for air and hot water MAX 120° C (e. g. code D204DEZI)
NBR seal for air, water, oil MAX 90° C (e. g. code D206DBYI)
NPT connection available upon request; please contact M&M Sales Department
cUL <sup>us</sup> UL coil upon request (e.g. code 770R)
EEX proof version (please see page 43 for more information)

**NEW!!**



### SELECTION TABLE

VALVE	G connection	nominal diameter	flow rate Kvs	OPD			COILS	
				min	max AC	max DC	code	[Volts/Hz]
code	[ISO 228 G]	[mm]	[l/min]	[barg]	[barg]	[barg]	code	[Volts/Hz]
D204DVZI	3/8"	13	55	0.3	16	16	7250	24v DC
D205DVZI	1/2"	13	63	0.3	16	16	7200	24v 50/60Hz
D206DVYI	3/4"	25	140	0.3	16	16	7400	110v 50Hz - 120v 60Hz
D222DVYI	1"	25	216	0.3	16	16	7600	200v 50Hz - 220v 60Hz
							7700	230v 50Hz - 240v 60Hz



### DIMENSIONS & WEIGHTS

G connection	A	B	C	D	weight
[ISO 228 G]	[mm]	[mm]	[mm]	[mm]	[kg]
3/8"	67	102	45.6	15	0.49
1/2"	67	102	45.6	15	0.49
3/4"	96	125.1	72	24	1.1
1"	96	125.1	72	24	1.1