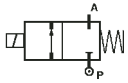


2/2 WAY DIRECT ACTING SOLENOID VALVE, G 1/8"



normally closed

TYPE: B297

TECHNICAL SPECIFICATIONS

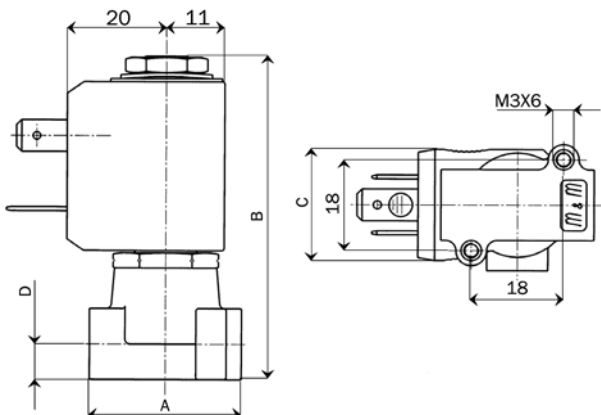
Media:	water, oil, air
Media temperature:	-10°C ... +130°C
Ambient temperature:	-10°C ... +50°C
Body material:	brass (CW719R EN 12165) low lead content
Orifice material:	stainless steel (AISI 303 EN 10088-3)
Operator material:	stainless steel
Seal material:	foodgrade FKM A80
Coil power:	AC 10VA (holding) AC 16VA (inrush) DC 7W
Protection class:	IP 65 (with connector)

OPTIONS

Normally open (Ex. code <u>RB297DVC</u>)
Manual override (Ex. code <u>B297DVCM</u>)
EPDM seal for air and hot water MAX 120°C (Ex. code <u>B297DEC</u>)
NPT connection on request (Ex. code <u>B297DVEN</u>)



SELECTION TABLE	VALVE	G connection	Nominal Diameter	Flow rate kv	OPD		COILS		
					min	max	Code	(Volts/Hz)	
	Code	-	(mm)	(l/min)	(bar)	AC	DC	Code	(Volts/Hz)
	B297DVB	1/8"	1.2	0.7	0	20	18	2250	24/dc
	B297DVC	1/8"	1.5	1.0	0	18	15	2200	24/50 - 60
	B297DVE	1/8"	2.0	1.9	0	12	9	2400	110/50 - 120/60
	B297DVG	1/8"	2.5	2.7	0	5	2.5	2600	200/50 - 220/60
	B297DVH	1/8"	3.0	3.5	0	3	1	2700	230/50 - 240/60



DIMENSIONS & WEIGHTS

G connection	A	B	C	D	weight
-	(mm)	(mm)	(mm)	(mm)	(Kg)
1/8"	30	64	22	7	0.15