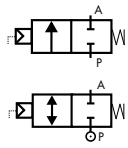
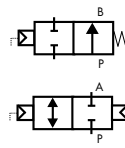


2/2 WAY PISTON VALVE G 1/2" ÷ 1" – BRONZE



**NC normally closed
over seat flow**

**NC normally closed
Bidirectional**



**NO normally open
under seat flow**

**Double acting
Bidirectional**

TECHNICAL SPECIFICATIONS

Media: water, oil, air, aggressive media and steam ❶
Media temperature: -10°C ÷ +180°C
Ambient temperature: -10°C ÷ +60°C
Pilot media: air, inert gases, water
Body material: bronze (CB491K EN 1982)
Bonnet material: brass (CW617N EN 12165)
Actuator body material: Polyamide PA6 (reinforced fiberglass 30%)
Seal material: PTFE type TFM 1600
Position indicator as standard

BENEFITS

Waterhammer-free design for BCG - DCG type (2→1)
Actuator housing rotation 360°
Design suitable for vacuum applications up to 10 ⁻² mbar

OPTIONS

NPT connection (e.g. Code CN205CTW00)

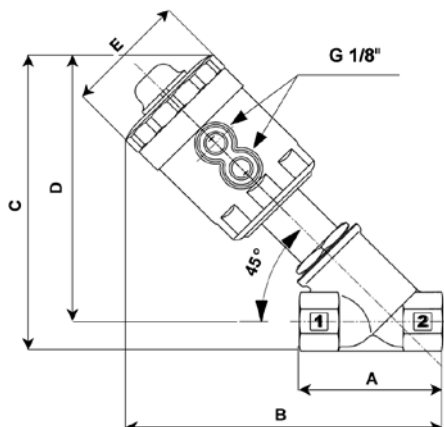
TYPE: COMPACT 45



SELECTION TABLE

VALVE	Connection	DN	Flow rate Kvs	Working pressure ❶		Flow direction	Pilot pressure ❷		Function
				min	max		min	max	
Code	[ISO 228 G]	[mm]	[l/min]	[barg]	[barg]	-	[barg]	[barg]	-
CG205CTW00	1/2"	15	75	0	16	1→2	3.8	10	Normally closed
CG206CTX00	3/4"	20	133	0	16	1→2	5.8	10	
CG207CTY00	1"	25	208	0	16	1→2	6.5	10	
BCG205CTW00	1/2"	15	75	0	16 / 16	1→2 / 2→1	6.2 / 5	10	Normally closed
BCG206CTX00	3/4"	20	133	0	16 / 7	1→2 / 2→1	8.7 / 5	10	
BCG207CTY00	1"	25	208	0	16 / 5	1→2 / 2→1	9.5 / 5	10	
RCG205CTW00	1/2"	15	75	0	16	2→1	4	10	Normally open
RCG206CTX00	3/4"	20	133	0	16	2→1	6.2	10	
RCG207CTY00	1"	25	208	0	16	2→1	8.8	10	
DCG205CTW00	1/2"	15	75	0	16 / 16	1→2 / 2→1	3	10	Double acting
DCG206CTX00	3/4"	20	133	0	16 / 16	1→2 / 2→1	5	10	
DCG207CTY00	1"	25	208	0	16 / 16	1→2 / 2→1	8.5	10	

❶ Steam: Max. working pressure 10 bar (9 barg); ❷ Minimum pilot pressure at max. working pressure; for lower working pressure see selection charts



DIMENSIONS & WEIGHTS

Connection	Actuator Ø	A	B	C	D	E	Weight
[ISO 228 G]	[mm]	[mm]	[mm]	[mm]	[mm]	[mm]	[kg]
1/2"	45	65	144	136	123	57	0.8
3/4"	45	75	149	142	126	57	0.9
1"	45	90	168	161	141	57	1.1