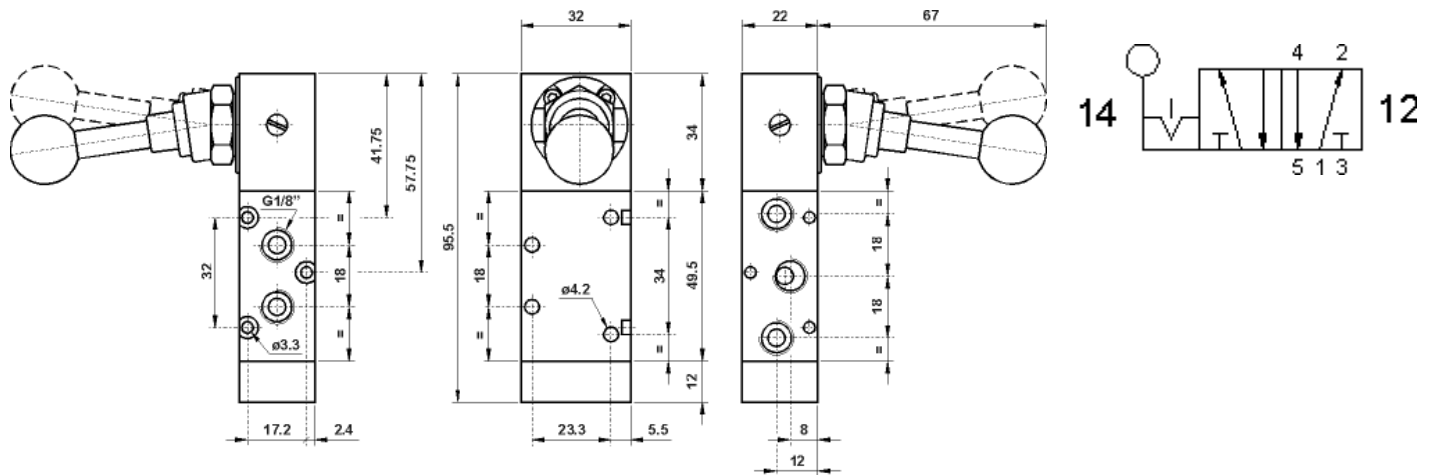


Karos szelep 521 LL 90

Materials

- Body: aluminium 11S
- Spool: nickel plated aluminium
- Seals: NBR
- Springs: stainless steel
- Internal parts: brass OT 58

Nominal orifice	5 mm
Nominal flow rate at 6 bar	550 NI/min
Temperature range	max +60°C
Working pressure	max 10 bar
Actuating force	10 N
Fluid	50µ filtered, lubricated or non lubricated air



Flow rates

