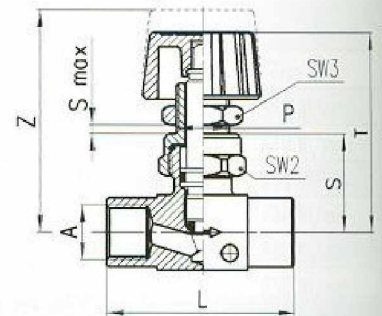


Valve Mod. 2839...

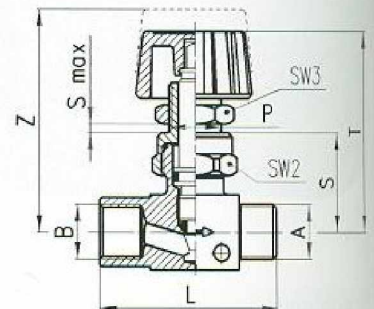


DIMENSIONS

Mod.	A	L	P	S	T	Z	Smax	SW2	SW3
2839 1/8	G1/8	42	1/4	23	47	52,5	7	19	17
2839 1/4	G1/4	46	1/4	23	47	52,5	7	19	17
2839 3/8	G3/8	62	14x1	28	56.5	63	7	22	17
2839 1/2	G1/2	64	14x1	29	57	64	7	22	17



Valve Mod. 2829...



DIMENSIONS

Mod.	A	B	L	P	S	T	Z	Smax	SW2	SW3
2829 1/8	G1/8	G1/8	41	1/4	23	47	52,5	7	19	17
2829 1/4	G1/4	G1/4	44	1/4	23	47	52,5	7	19	17

