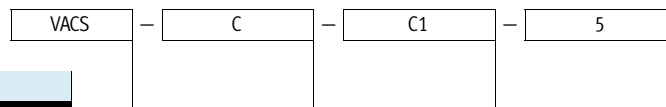


# Solenoid coils VACS

Type codes



Type	
VACS	Solenoid coil, S series

Solenoid coil type	
C	Width 18 mm, for 8 mm armature tube



Electrical connection	
C1	Connection pattern type C, to EN 175301

Operating voltage	
5	12 V DC
1	24 V DC
7	48 V DC
1A	24 V AC, 50/60 Hz
7A	48 V AC, 50/60 Hz
16B	110/120 V AC, 50/60 Hz
3W	230/240 V AC, 50/60 Hz

# Solenoid coils VACS

Technical data

FESTO

-  Voltage  
12 ... 48 V DC  
24 ... 240 V AC
-  Temperature range  
-10 ... +50 °C

- In accordance with VDE regulation 0580, insulation class H
- Connection pattern to EN 175301-803, type C
- Can be replaced without interrupting the pneumatic circuit



General technical data	
Type of mounting	Via knurled nut
Mounting position	Any (can be rotated in increments of 45° on the armature tube)

Materials	
Housing seal set	Aluminium, HNBR
Housing	PA, steel
Winding	Copper
Note on materials	RoHS compliant

Electrical data	
Electrical connection	Plug pins, 3-pin, with connection pattern to EN 175301-803, type C
Permissible voltage fluctuations [%]	-10 / +10
Duty cycle [%]	100
Degree of protection to EN 60529	IP65 with plug socket
Insulation class	H

Characteristic coil data								
Operating voltage		12 V DC	24 V DC	48 V DC	24 V AC	48 V AC	110/120 V AC	230/240 V AC
Power [W]		2.6	2.6	2.4	-	-	-	-
Pick-up power, 50 Hz [VA]		-	-	-	2.5	2.5	2.3	3.0
Holding power, 50 Hz [VA]		-	-	-	1.8	1.9	1.7	2.3
Frequency [Hz]		-	-	-	50/60	50/60	50/60	50/60
Surge resistance [kV]		-	-	-	-	-	2.5	4

Operating and environmental conditions								
Operating voltage		12 V DC	24 V DC	48 V DC	24 V AC	48 V AC	110/120 V AC	230/240 V AC
Ambient temperature [°C]		-10 ... +50					-10 ... +50	
Corrosion resistance class CRC <sup>1)</sup>		2					2	
Degree of contamination		-					3	
CE marking (see declaration of conformity) <sup>2)</sup>		-					To EU Low Voltage Directive	
Certification		c UL us - Recognized (OL)		-	c UL us - Recognized (OL)		-	-

1) Corrosion resistance class CRC 2 to Festo standard FN 940070  
Moderate corrosion stress. Indoor applications in which condensation may occur. External visible parts with primarily decorative requirements for the surface and which are in direct contact with the ambient atmosphere typical for industrial applications.

2) Additional information [www.festo.com/sp](http://www.festo.com/sp) → Certificates.

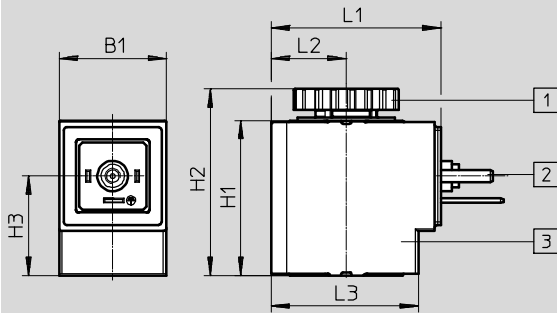
# Solenoid coils VACS

Technical data

FESTO

## Dimensions

Download CAD data → [www.festo.com](http://www.festo.com)

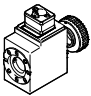



- 1 Knurled nut (seal set for solenoid coil)
- 2 Plug pattern to EN 175301-803, type C

- 3 Solenoid coil (can be rotated in increments of 45° on the armature tube, push on in any direction)

Type	B1	H1	H2	H3	L1	L2	L3
VACS-C-C1-...	17.6	25.4	30.6	16.3	27.8	12.3	24.1

## Ordering data

	Description	Part No.	Type
<b>Solenoid coil</b>			
	Without plug socket, connection pattern to EN 175301-803, type C	12 V DC	<b>8025331</b> VACS-C-C1-5
		24 V DC	<b>8025330</b> VACS-C-C1-1
		48 V DC	<b>8025336</b> VACS-C-C1-7
		24 V AC	<b>8025335</b> VACS-C-C1-1A
		48 V AC	<b>8025337</b> VACS-C-C1-7A
		110/120 V AC	<b>8025334</b> VACS-C-C1-16B
		230/240 V AC	<b>8025338</b> VACS-C-C1-3W
<b>Seal set</b>			
	To achieve degree of protection IP67	<b>2643771</b>	<b>VAMC-B10-C-B-S8</b>