

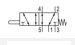
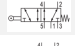

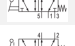

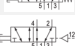
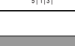
5/2-directional valve, Series CD07

- Qn = 1200 l/min
- Compressed air connection output G 1/4
- Pipe connection
- suitable for ATEX



| | |
|-------------------------------|-----------------------------------|
| Type | Spool valve, positive overlapping |
| Activation | Mechanical |
| Switching principle | 5/2 |
| Sealing principle | Soft sealing |
| Nominal flow Qn | 1200 l/min |
| Working pressure min./max. | -0,95 ... 10 bar |
| Control pressure min./max. | See table below |
| Ambient temperature min./max. | -25 ... 80 °C |
| Medium temperature min./max. | -25 ... 80 °C |
| Medium | Compressed air |
| Max. particle size | 50 µm |
| Oil content of compressed air | 0 ... 1 mg/m ³ |
| Weight | See table below |

Technical data

| Part No. | | Actuating element | Compressed air connection type |
|------------|---|---|--------------------------------|
| 5634600100 |  | Plunger | Internal thread |
| 5634610100 |  | Roller | Internal thread |
| 5634630100 |  | Hand lever, with detent, without detent | Internal thread |
| 5634640100 |  | Hand lever | Internal thread |
| 5634650100 |  | Rotary lever, with detent | Internal thread |
| 5634660100 |  | Button | Internal thread |
| 5634669200 |  | Button | - |

| Part No. | Compressed air connection Input | Compressed air connection Output | Compressed air connection Exhaust |
|------------|---------------------------------|----------------------------------|-----------------------------------|
| 5634600100 | G 1/4 | G 1/4 | G 1/4 |
| 5634610100 | G 1/4 | G 1/4 | G 1/4 |
| 5634630100 | G 1/4 | G 1/4 | G 1/4 |
| 5634640100 | G 1/4 | G 1/4 | G 1/4 |
| 5634650100 | G 1/4 | G 1/4 | G 1/4 |
| 5634660100 | G 1/4 | G 1/4 | G 1/4 |
| 5634669200 | G 1/4 | G 1/4 | G 1/4 |

| Part No. | Compressed air connection Pilot control exhaust | Operating force | Control pressure min./max. |
|------------|---|-----------------|----------------------------|
| | | min. | |
| 5634600100 | - | 70 N | - |
| 5634610100 | - | 40 N | - |
| 5634630100 | - | 20 N | - |
| 5634640100 | - | 15 N | - |
| 5634650100 | - | 15 N | - |
| 5634660100 | - | 70 N | - |

| Part No. | Compressed air connection Pilot control exhaust | Operating force | Control pressure min./max. |
|------------|---|-----------------|----------------------------|
| | | min. | |
| 5634669200 | G 1/8 | 80 N | 5 ... 10 bar |

| Part No. | Housing material | Material actuating control | Weight |
|------------|--|----------------------------|---------|
| 5634600100 | Die cast zinc Polyamide fiber-glass reinforced | Stainless steel | 0,54 kg |
| 5634610100 | Die cast zinc Polyamide fiber-glass reinforced | Stainless steel | 0,59 kg |
| 5634630100 | Die cast zinc Polyamide fiber-glass reinforced | Polyoxymethylene | 0,62 kg |
| 5634640100 | Die cast zinc Polyamide fiber-glass reinforced | Polyoxymethylene | 0,59 kg |
| 5634650100 | Die cast zinc Polyamide fiber-glass reinforced | Polyoxymethylene | 0,64 kg |
| 5634660100 | Die cast zinc Polyamide fiber-glass reinforced | Polyoxymethylene | 0,54 kg |
| 5634669200 | Die cast zinc | Polyoxymethylene | 0,54 kg |

| Part No. | Fig. |
|------------|--------|
| 5634600100 | Fig. 1 |
| 5634610100 | Fig. 2 |
| 5634630100 | Fig. 3 |
| 5634640100 | Fig. 4 |
| 5634650100 | Fig. 5 |
| 5634660100 | Fig. 6 |
| 5634669200 | Fig. 7 |

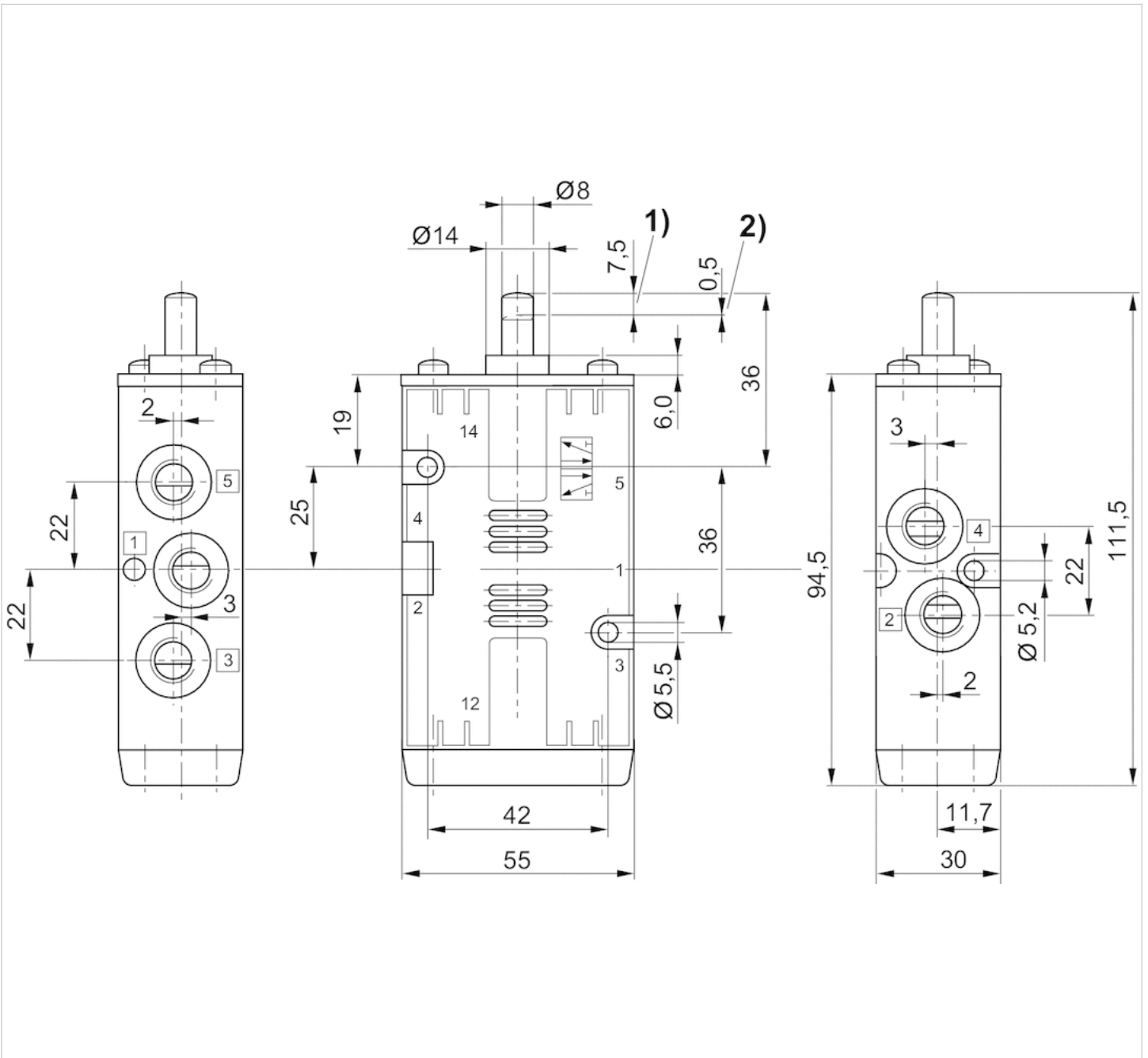
Nominal flow Qn at 6 bar and $\Delta p = 1$ bar

Technical information

| Material | |
|-------------------|--|
| Housing | Die cast zinc Polyamide fiber-glass reinforced Die cast zinc |
| Seals | Acrylonitrile butadiene rubber |
| Actuating element | Stainless steel Polyoxymethylene |

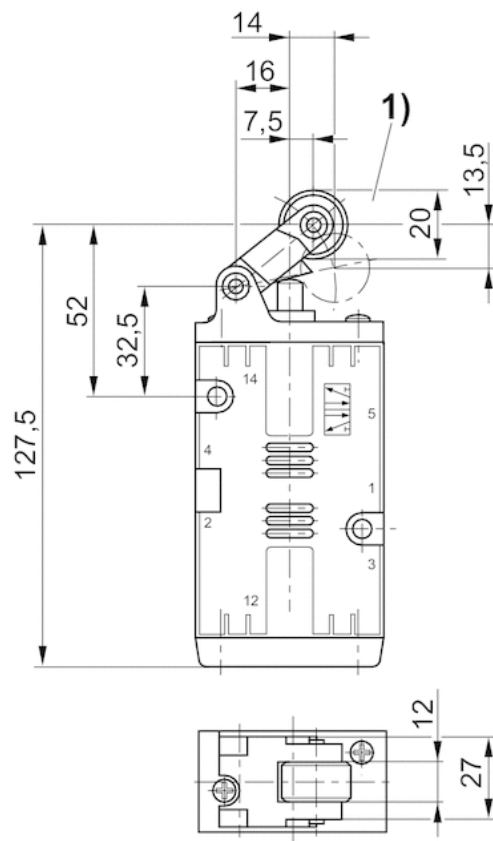
Dimensions

Dimensions, Fig. 1



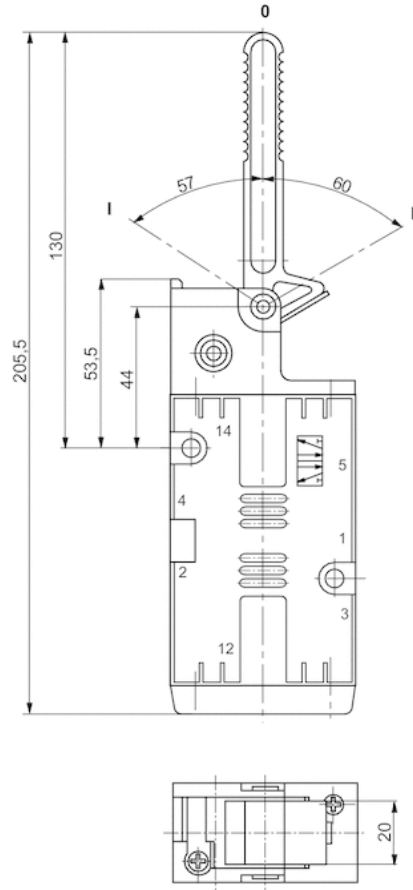
1) Stroke 2) Overstroke
 Dimensions of basic valve apply to all types of actuation.

Dimensions, Fig. 2



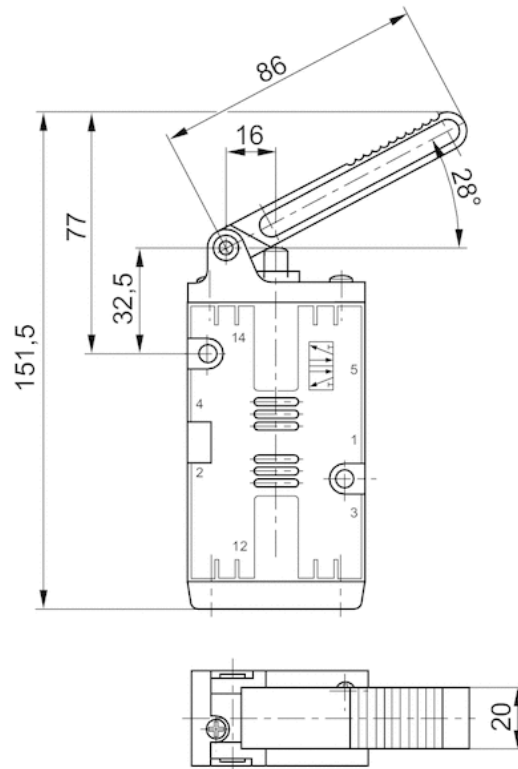
1) approach angle of rollers max. 30°

Dimensions, Fig. 3

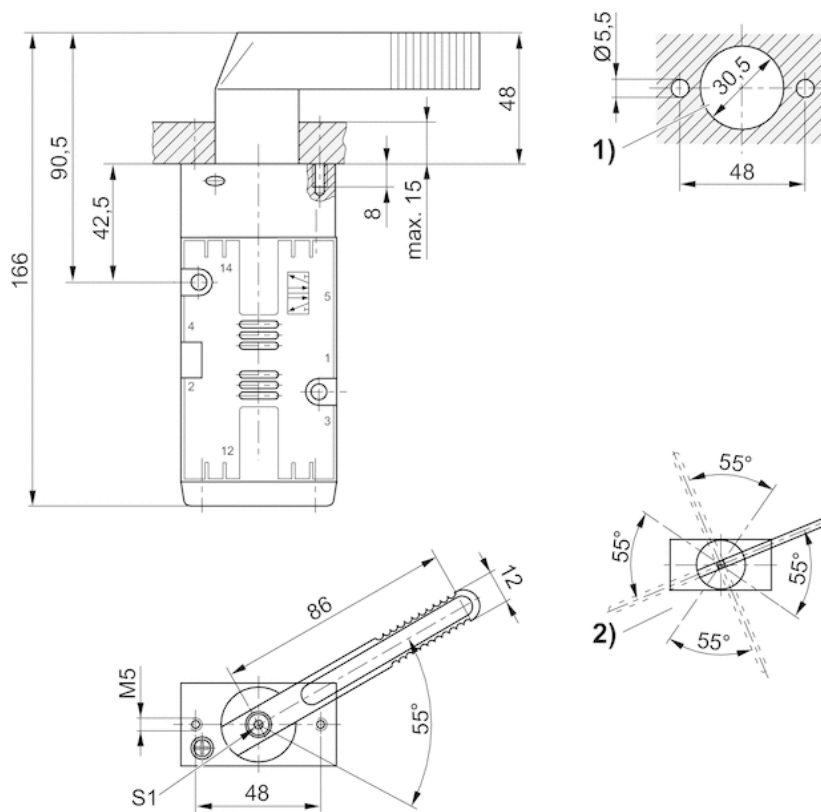


Position 0: initial position, position I: with detent, manual return, position II: automatic spring return.

Dimensions, Fig. 4



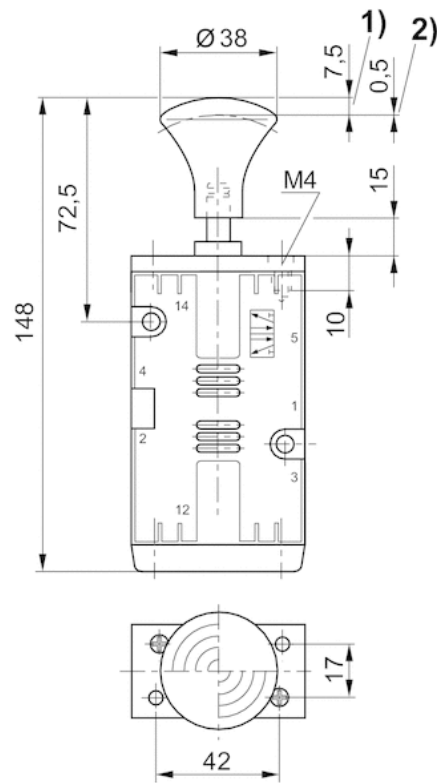
Dimensions, Fig. 5



1) control panel installation (holes in mounting panel)

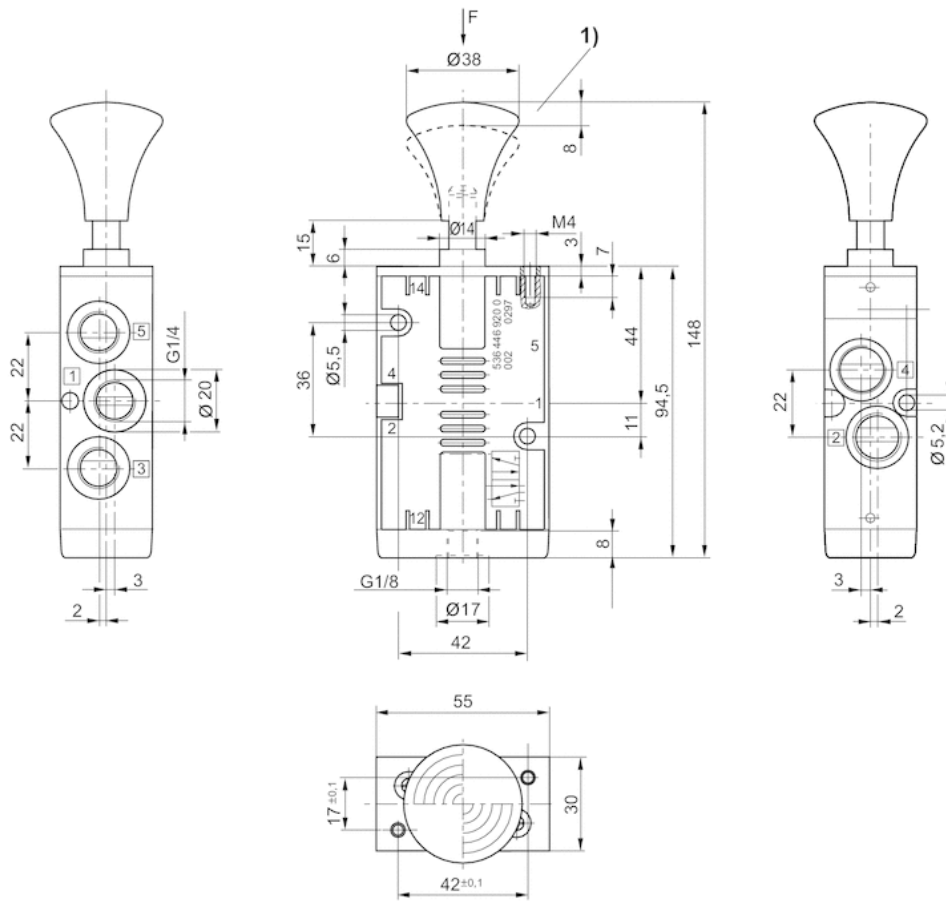
2) possible lever positions (basic position of hand lever adjustable in 90° steps after loosening screw "S1").

Dimensions, Fig. 6



1) Stroke 2) Overstroke

Dimensions, Fig. 7



1) Stroke

Efficient pneumatic solutions, our program: cylinders and drives, valves and valve systems, air supply management



Visit us: [Emerson.com/Aventics](https://www.emerson.com/Aventics)

Your local contact: [Emerson.com/contactus](https://www.emerson.com/contactus)



Emerson.com



[Facebook.com/EmersonAutomationSolutions](https://www.facebook.com/EmersonAutomationSolutions)



[LinkedIn.com/company/Emerson-Automation-Solutions](https://www.linkedin.com/company/Emerson-Automation-Solutions)



[Twitter.com/EMR_Automation](https://twitter.com/EMR_Automation)

An example configuration is depicted on the title page. The delivered product may thus vary from that in the illustration. Subject to change. This Document, as well as the data, specifications and other information set forth in it, are the exclusive property of AVENTICS GmbH. It may not be reproduced or given to third parties without its consent. Only use the AVENTICS products shown in industrial applications. Read the product documentation completely and carefully before using the product. Observe the applicable regulations and laws of the respective country. When integrating the product into applications, note the system manufacturer's specifications for safe use of the product. The data specified only serve to describe the product. No statements concerning a certain condition or suitability for a certain application can be derived from our information. The information given does not release the user from the obligation of own judgement and verification. It must be remembered that the products are subject to a natural process of wear and aging.

The Emerson logo is a trademark and service mark of Emerson Electric Co. Brand logotype are registered trademarks of one of the Emerson family of companies. All other marks are the property of their respective owners. © 2021 Emerson Electric Co. All rights reserved.
2021-10



CONSIDER IT SOLVED™